

Series 500E/600E

Three Piece Ball Valves

Flow-Tek's Series 500E/600E ball valves offer a high quality, economical three piece design for applications requiring manual operation. The three piece design allows the center section to swing out while the ends remain connected to the piping, facilitating ease of in-line maintenance.

Standard valve bodies are investment cast CF8M Stainless Steel or WCB Carbon Steel. All body castings are marked with a foundry heat number for full traceability. Series 500E/600E valves offer standard RPTFE seats with low operating torque. Flow-Tek's heavy duty, high quality stems with anti-static devices are internal entry and blowout proof for maximum safety. Other features include: adjustable stem packing, stainless steel safety trigger locking handles and integrally cast travel stops which limit handle movement to set 90° intervals.

Size Range

Full Port: 1/4" - 4"

Pressure Rating

1/4" - 2" 1000 psi WOG
2 1/2" - 4" 800 psi WOG

Temperature Range

-50°F to 450°
-46°C to 232°C

End Connections

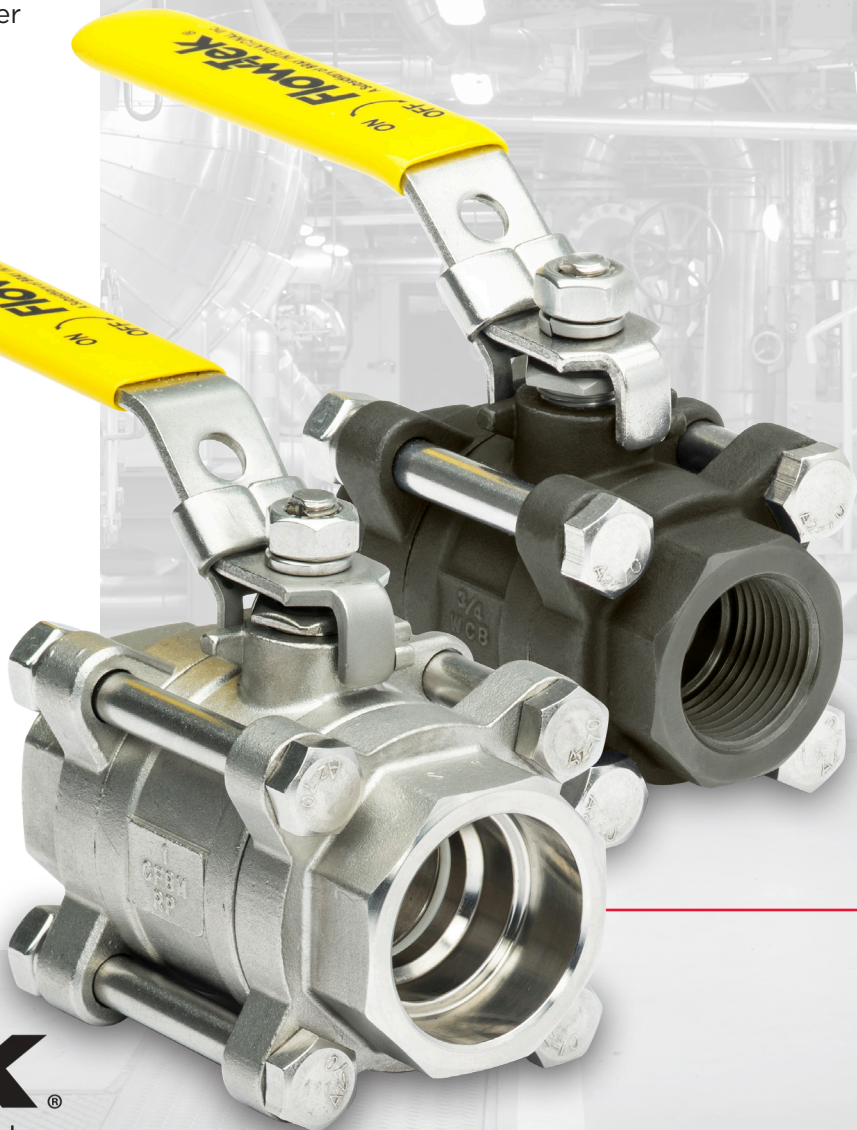
Threaded, Socket Weld

Body Materials

500E: CF8M (Stainless Steel)
600E: WCB (Carbon Steel)

Standards

ASME B16.34, ASME B16.11,
ASME B1.20.1/EN10266,
MSS SP-55, API 598, EN 10204



Flow-Tek®

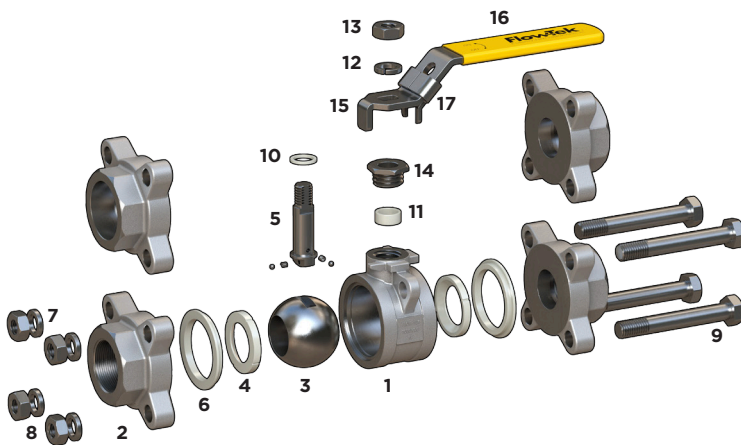
A Subsidiary of BRAY INTERNATIONAL, Inc.

Series 500E Material Specifications

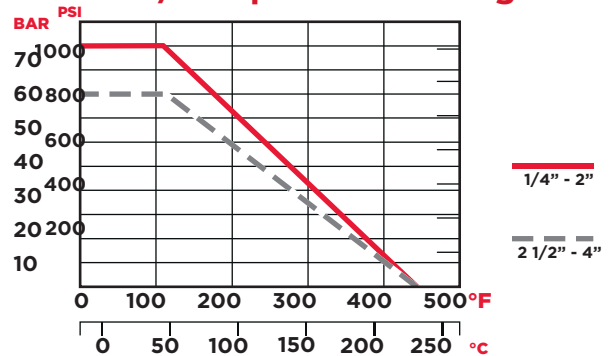
Item Description	Material	Qty.
1 Body	ASTM A351 Gr CF8M	1
2 End Cap	ASTM A351 Gr CF8M	2
3 Ball	ASTM A479 Type 316	1
4 Seat	RPTFE	2
5 Stem	ASTM A479 Type 316	1
6 Body Seal	PTFE	2
7 Spring Washer	SS304	4/6
8 Nut	SS304	4/6
9 Bolt	SS304	4/6
10 Thrust Washer	PTFE	1
11 Stem Packing	RPTFE	1
12 Stem Washer	SS304	1
13 Stem Nut	SS304	1
14 Gland Nut	SS304, SS316	1
15 Handle	SS304	1
16 Handle Sleeve	Plastic	1
17 Locking Device	SS304	1

Series 600E Material Specifications

Item Description	Material	Qty.
1 Body	A216-WCB	1
2 End Cap	A216-WCB	2
3 Ball	ASTM A479 Type 316	1
4 Seat	RPTFE	2
5 Stem	ASTM A479 Type 316	1
6 Body Seal	PTFE	2
7 Spring Washer	SS304	4/6
8 Nut	SS304	4/6
9 Bolt	SS304	4/6
10 Thrust Washer	PTFE	1
11 Stem Packing	RPTFE	1
12 Stem Washer	SS304	1
13 Stem Nut	SS304	1
14 Gland Nut	SS304, SS316	1
15 Handle	SS304	1
16 Handle Sleeve	Plastic	1
17 Locking Device	SS304	1

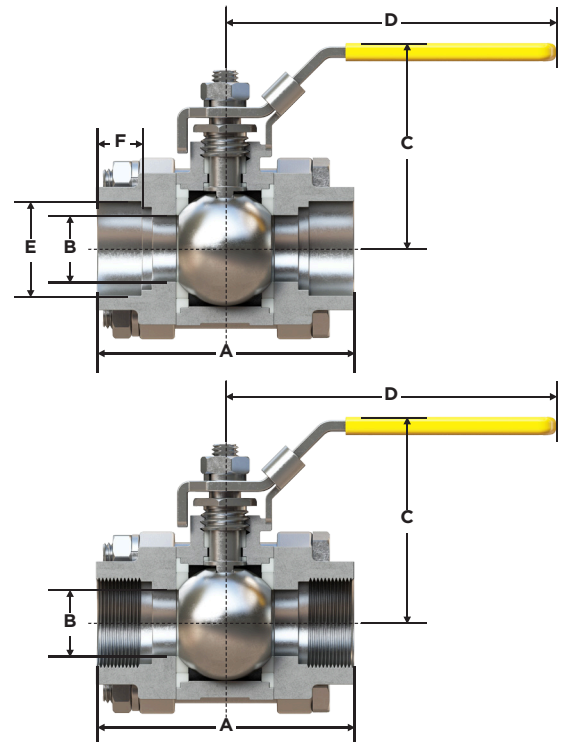


Pressure/Temperature Ratings



Dimensions and Weights

In. (mm)	A	øB	C	D	E	F	Torque Lbs.-in. (N-m)	Wt. Lbs. (kg)
1/4 (8)	2.12 (54)	.43 (11)	1.88 (48)	3.58 (91)	.56 (14.2)	.39 (10)	44.25 (5)	.77 (.35)
3/8 (10)	2.12 (54)	.47 (12)	1.88 (48)	3.58 (91)	.69 (17.6)	.39 (10)	44.25 (5)	.77 (.35)
1/2 (15)	2.51 (64)	.59 (15)	2.04 (52)	4.05 (103)	.85 (21.7)	.39 (10)	79.7 (9)	1.28 (.58)
3/4 (20)	2.91 (74)	.78 (20)	2.40 (61)	4.37 (111)	1.06 (27.1)	.51 (13)	159.3 (18)	1.81 (.82)
1 (25)	3.35 (85)	.98 (25)	2.55 (65)	4.84 (123)	1.33 (33.9)	.51 (13)	177 (20)	2.36 (1.07)
1 1/4 (32)	3.94 (100)	1.25 (32)	3.11 (79)	6.02 (153)	1.67 (42.6)	.51 (13)	221.3 (25)	4.12 (1.87)
1 1/2 (40)	4.33 (110)	1.5 (38)	3.26 (83)	6.02 (153)	1.91 (48.7)	.51 (13)	309.8 (35)	5.22 (2.37)
2 (50)	5.11 (130)	1.96 (50)	3.81 (97)	7.48 (190)	2.40 (61.1)	.63 (16)	354 (40)	6.28 (2.85)
2 1/2 (65)	6.22 (158)	2.51 (64)	5.31 (135)	9.57 (243)	2.90 (73.8)	.63 (16)	619.6 (70)	16.42 (7.45)
3 (80)	7.04 (179)	2.99 (76)	5.67 (144)	9.57 (243)	3.53 (89.8)	.63 (16)	796.6 (90)	23.02 (10.44)
4 (100)	8.78 (223)	3.70 (94)	6.77 (172)	15.75 (400)	4.54 (115.5)	.75 (19)	1062.1 (120)	46.54 (21.1)



Flow-Tek

A Subsidiary of BRAY INTERNATIONAL, Inc.
8323 N. Eldridge Pkwy #100 Houston, Texas 77041
832.912.2300 Fax: 832.912.2301 www.flow-tek.com

All statements, technical information, and recommendations in this bulletin are for general use only. Consult Flow-Tek representatives or factory for the specific requirements and material selection for your intended application. The right to change or modify product design or product without prior notice is reserved.

Flow-Tek® is a registered trademark of Bray International, Inc. © 2015 Bray International. All rights reserved. 0-0000-00-000-00-0000

reserved.