



### **3" Steam Jacketed QRB Hydrolet Valve – Packing Nut Style**

The Betts 3" Steam Jacketed QRB Hydrolet is a manually operated loading/unloading stop-valve typically used in conjunction with a primary self-closing stop-valve on DOT407 and 412 cargo tanks.

The Steam Jacketed QRB Hydrolet offers the same features as the standard Hydrolet but with the added advantage of providing a method to circulate heated fluid around the valve for applications where a temperature-sensitive product may solidify in the valve if it cools. The jacket material is 304 stainless steel and the two steam fittings are ¾" NPT female couplings.

The main valve body is constructed from durable 316 stainless steel, making it ideal for use on transport tanks hauling a variety of products. The valve is available in 90-degree, 45-degree and straight outlet configurations, with either flanged or threaded outlet options.

The Betts Hydrolet is the industry standard with a reputation for performance and reliability, offering unmatched quality and backed by exceptional customer service.

Maximum allowable working pressure (MAWP): **35 psi [2.4 bar]. \***

Steam Jacket MAWP: **150 psi [10.3 bar].**

Assembly Description Part Number **	Inlet Flange	Outlet Configuration	Outlet Angle	Disc Seal Material **	Weight
JQ703SST3" 90° Steam Jacket QRB Flanged Outlet	3" TTMA (8 Holes on 4.88" B.C.) [123.8 mm]	Flanged (3" TTMA)	90° Elbow	PTFE	22.5 lbs. [10.2 kg]
JQ713SST3" 90° Steam Jacket QRB Threaded Outlet	3" TTMA (8 Holes on 4.88" B.C.) [123.8 mm]	Threaded (3" NPT)	90° Elbow	PTFE	20.3 lbs. [9.2 kg]
JQ763SST3" 45° Steam Jacket QRB Flanged Outlet	3" TTMA (8 Holes on 4.88" B.C.) [123.8 mm]	Flanged (3" TTMA)	45° Elbow	PTFE	19.5 lbs. [8.8 kg]
JQ773SST3" 45° Steam Jacket QRB Threaded Outlet	3" TTMA (8 Holes on 4.88" B.C.) [123.8 mm]	Threaded (3" NPT)	45° Elbow	PTFE	19.1 lbs. [8.7 kg]
JQ723SST3" Straight Steam Jacket QRB Flanged Outlet	3" TTMA (8 Holes on 4.88" B.C.) [123.8 mm]	Flanged (3" TTMA)	Straight	PTFE	18.7 lbs. [8.5 kg]
JQ733SST3" Straight Steam Jacket QRB Threaded Outlet	3" TTMA (8 Holes on 4.88" B.C.) [123.8 mm]	Threaded (3" NPT)	Straight	PTFE	17.7 lbs. [8.0 kg]

\* Values shown are test values and actual values may vary due to service conditions.

\*\* Last letter of part number designates seal material.

** Disc Seal Material	Seal Temperature Rating *
A = Non- Asbestos	-20°F to +500°F [-29°C to 260°C]
T = PTFE	-20°F to +400°F [-29°C to 204°C]
V = FKM (Type A)	0°F to +400°F [-18°C to 204°C]
B = Nitrile (Bunna-N)	-40°F to +230°F [-40°C to 110°C]

### **Engineering Bulletins**

[EB-03-18](#): Procedure for Pneumatic Leak Test of Hydrolet Valve (Pre-Load Qualification)

[EB-09-99](#): Q.R.B. Hydrolet Clamp Ring Installation and Torque Rating.

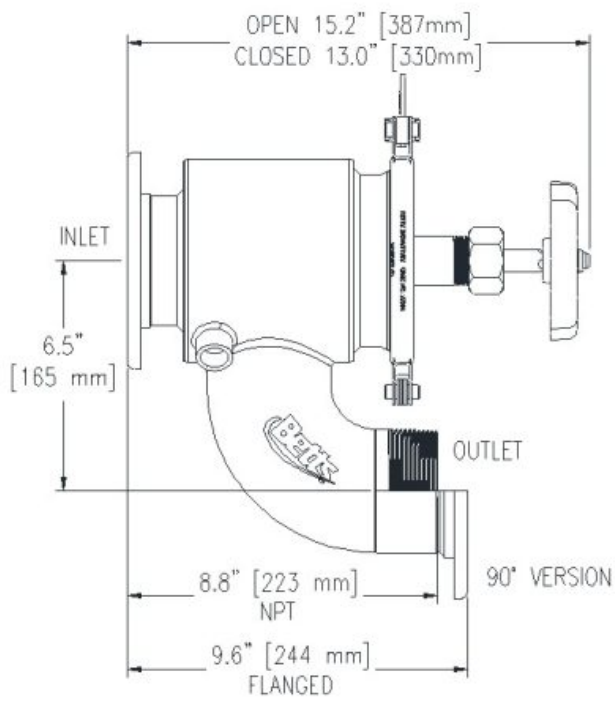
[EB-05-25](#): New Tophead O-ring Seal on 3" & 4" Hydrolet Valves

### **Installation and Maintenance Manual**

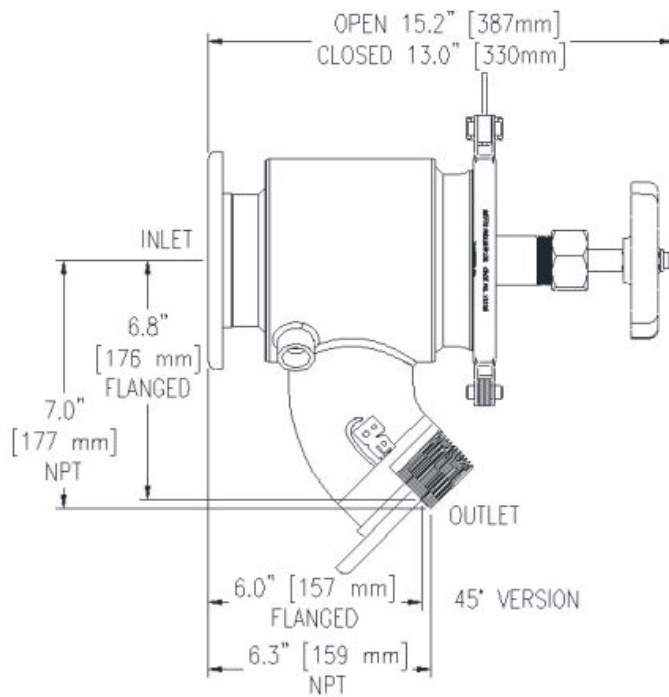
[MM-HY005](#): Quick Release Bonnet Hydrolet Maintenance Manual

### **Instructional Videos**

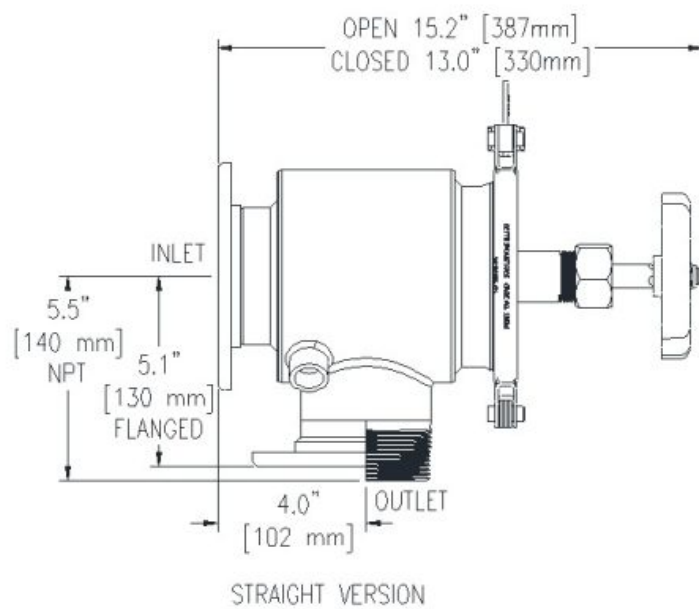
No video available at this time.



JQ703\_JQ713 Dims.



JQ763\_JQ773 Dims.



JQ723\_JQ733 Dims.



Teflon Accordion Packing

**⚠ WARNING:** This product can expose you to chemicals including Chromium (hexavalent compounds) which is known to the State of California to cause cancer, birth defects or other reproductive harm. For more information go to: [www.P65Warnings.ca.gov](http://www.P65Warnings.ca.gov). For additional information on Betts products and Proposition 65 list please see: <http://www.bettsind.com/prop-65/>