



4" Stainless Tapered Seat Emergency Valve – Manual – 90 Degree Elbow

- Cable Operated
- Tapered Seat
- Teflon Encapsulated Seals

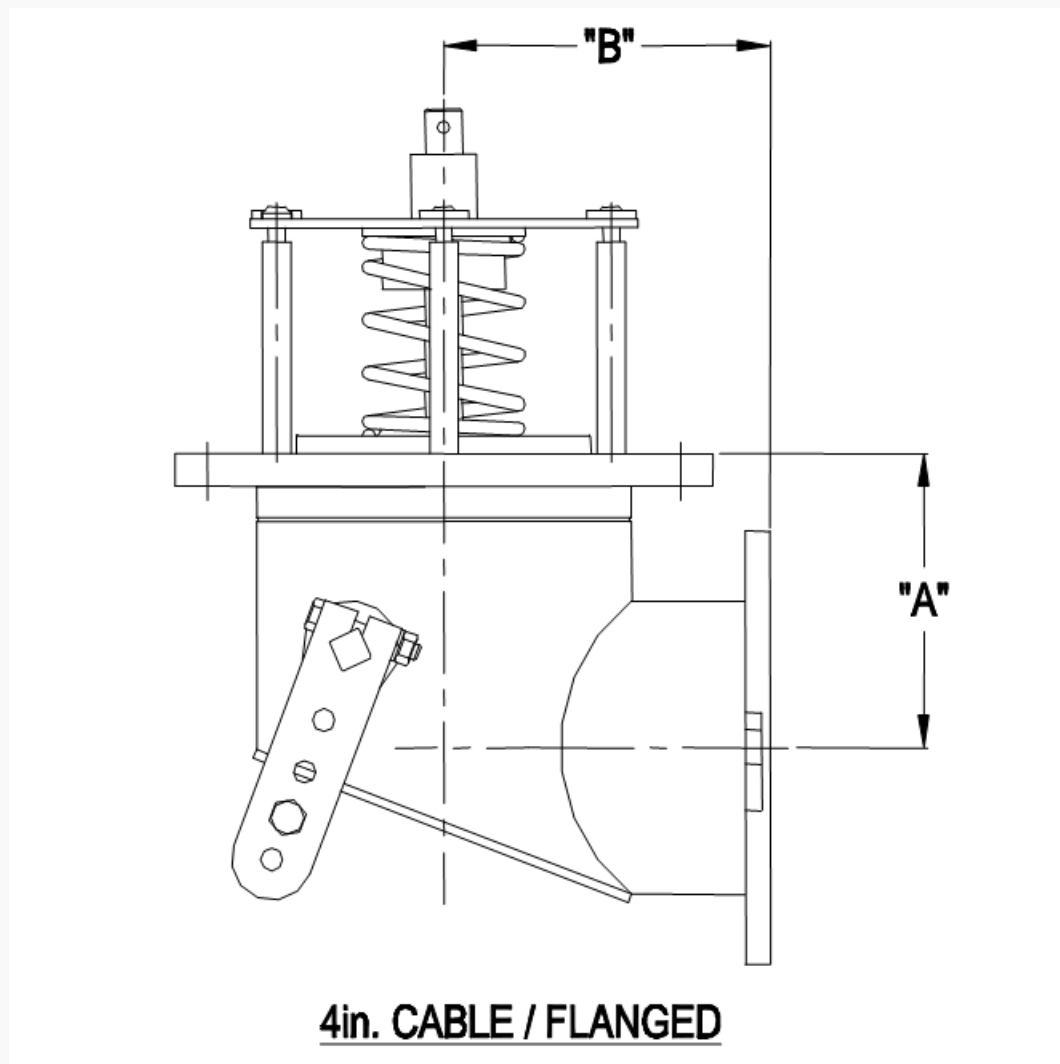
Betts Stainless Steel Emergency Valves are equipped with Teflon encapsulated O-ring seals which are compatible with a wide range of products. The tapered seat is self-cleaning to lessen the possibility of seat damage due to foreign objects. The stuffing box features two O-ring seals to provide positive sealing.

Left-hand valves are available with air cylinder or cable lever arm on opposite side of valve as shown. Add suffix -005 for left-hand option. Add suffix -004 for optional screen.

Assembly Number	Outlet	Wt.	Dimensions	Inlet Flange	Outlet Flange
EV46242SSTS	4" Flanged	24.2	A: 4.50" B: 5.00"	B.C.: 7.25" Holes: 8-9/16	B.C.: 5.88" Holes: 8-7/16

Force rating from TTMA RP86: 4" Valves Fb-max=35,100 lb.

CAUTION: Never bottom load through emergency valves without first opening valve. Failure to do so may result in damage to the tank and/or valve.



EB-01-12: Water Flow Rates of Betts Emergency Valves

EB3-00: MAWP and Bursting Pressure Ratings for Betts Valves

EB-02-03: Cable Emergency Valve System Schematic

EB4-02: Emergency Valve Straight Lift Mechanism

⚠ WARNING: This product can expose you to chemicals including Chromium (hexavalent compounds) which is known to the State of California to cause cancer, birth defects or other reproductive harm. For more information go to: www.P65Warnings.ca.gov. For additional information on Betts products and Proposition 65 list please see: <http://www.bettsind.com/prop-65/>

